

# Break Tank with AB Air Gap

## Model AB18 - Datasheet

### Description

Cistern with Type AB air gap providing Fluid Category 5 protection. Supplied as a complete package, including stainless steel wall bracket - incorporating a drip tray.

The primary purpose is to provide backflow protection in accordance with the Water Regulations. The cistern features a stainless steel screened weir slot complying with BS EN13077: 2008.

The AB18 supplies water by gravity and is intended for applications where it is possible to mount the assembly sufficiently higher than the application – e.g. 5 m = 0.5 bar. Where there is insufficient head refer to - [“Boost-A-Break” \(BTAB\)](#) or [“Midi-Break” \(BTMIDI\)](#).

The unit is relatively small and quick to install. Filling is via a 15 mm “Torbeck” compact float operated valve. All pipe connections are supplied.

### Connection Pipes

The outlet connection is 22 mm push-fit. An integral servicing valve is supplied with the inlet hose – as required by the Water Regulations (G16.4) – which must be fitted. The overflow is 22 mm plastic with compression nut.

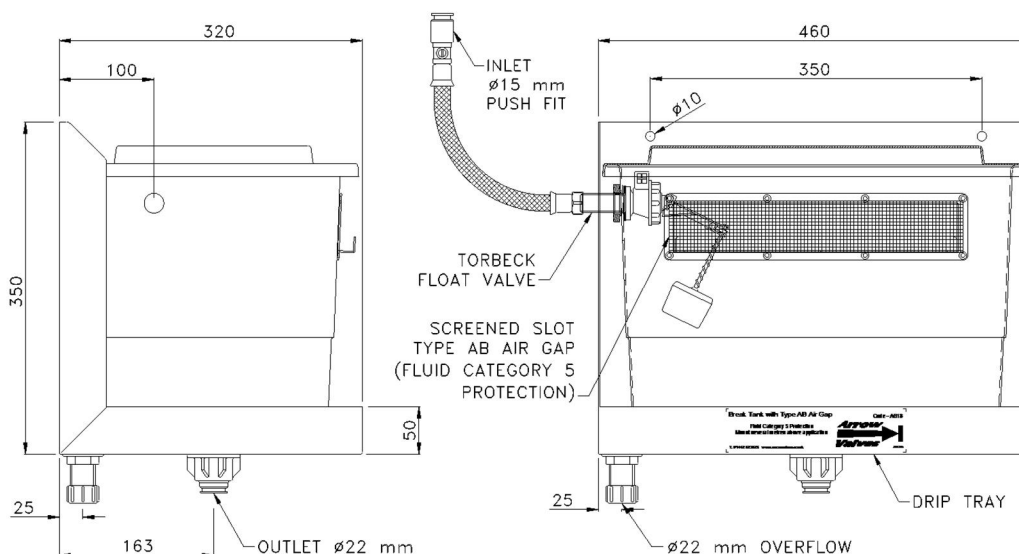
### Specification

Pressure Supply	10 bar max.
Cistern Capacity	18 Litre nominal (15 Lt useable)
Connection hose (supplied)	15 mm stainless braided 300 mm metal push fit with serv. valve
Outlet Size	22 mm push-fit
Temperature	25° max. ambient
Filling Rate	0.2 Lt/s @ 1.0 bar (maintained) 0.3 Lt/s @ 1.5 bar (maintained)
Approval	KIWA UK 0903703 (no pump)

### Materials

Drip Tray / Brackets	Stainless Steel 304
Fittings	POM / PP / Stainless
Cistern	Polypropylene

### Dimensions



AB18 – Cistern with Type AB air gap. Supplied complete with stainless steel screened slot, wall bracket incorporating drip tray, float valve and inlet hose with servicing valve.

### Applications

Fluid Category 5 applications (with sufficient head)

- Hose Union Tap – non domestic
- Underground or surface irrigation – see [HUBG datasheet](#)
- Applications deemed to be Category 5 by water company

### Water Regulations

The assembly complies with the requirements of the Water Regulations when installed and used correctly. A cistern with Type AB air gap provides protection against Fluid Category 5 risks – these are the highest risk. Model AB18 can therefore be used for all applications. The Regulations require point of use protection.

### Codes and Descriptions

Size	Code	Description
18 lt	AB18	Cistern AB Air Gap Wall Tray

### Arrow Valves Ltd

Tel: 01442 823123 Fax: 01442 823234

[www.arrowvalves.co.uk](http://www.arrowvalves.co.uk)

Arrow Valves Ltd reserve the right to change specifications, design and materials at any time without notice. All unit-less dimensions in mm.  
© Copyright Arrow Valves Ltd 2011-2013



# Rainwater Header Break Tank

## Model AB18T - Datasheet

### Description

Rainwater header tank supplies rainwater under gravity to appliances with an automatic mains water backup facility. The primary benefit of this header system is the continuation of water supply during electrical power failures.

The rainwater model is similar to the AB18 but features a second float valve – for mains water top-up, set to open at a lower level. Typically the cistern will be full of rainwater having been pumped from a large underground storage tank. If there is insufficient rainwater or electrical failure, the cistern will automatically top-up with mains water.

The AB18T should be mounted sufficiently higher than the application – e.g. 5 m = 0.5 bar. *Note – minimum pressure required for washing machines. Where there is insufficient head refer to pumped systems - [“Boost-A-Break”](#) (BTAB) or [“Midi-Break”](#) (BTMIDI).*

Up to 12 litres of rainwater can be drawn off before the mains float valve opens. In practice, the rainwater float valve normally fills at a similar rate as the draw off preventing unnecessary mains top-up when rain water is available.

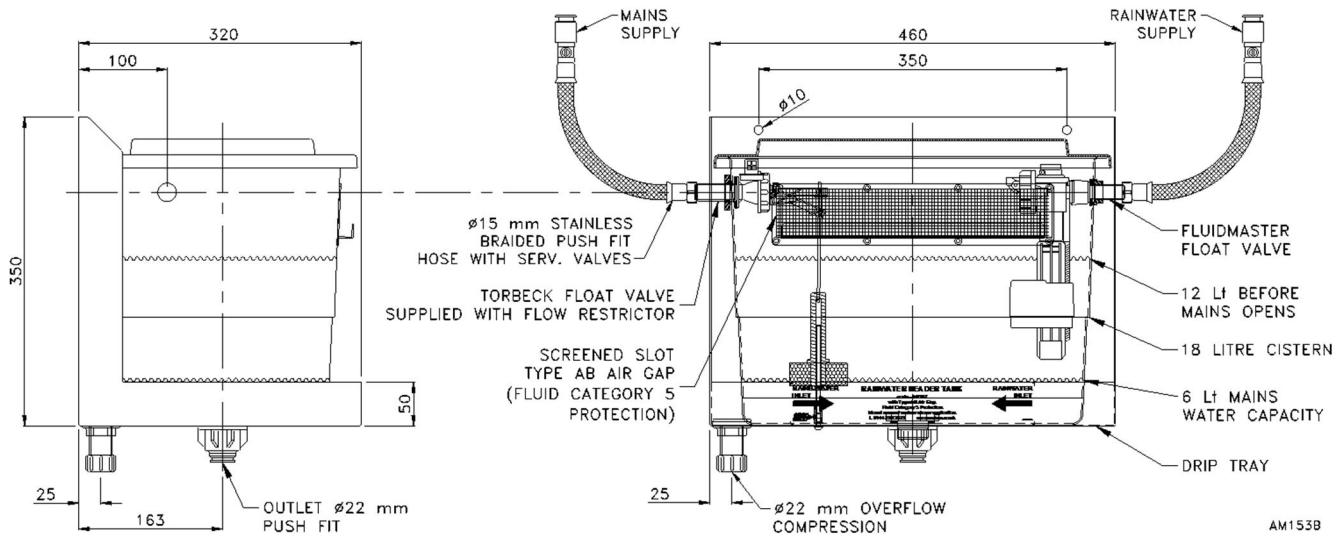
### Connection Pipes

The outlet connection is 22 mm push-fit. Two integral servicing valves are supplied with the inlet hoses – as required by the Water Regulations (G16.4) – which must be fitted. The overflow is 22 mm plastic compression.

### Specification

Pressure Supply	10 bar max.
Cistern Capacity	18 Litre nominal (6 Lt mains)
Connection hoses (supplied)	15 mm stainless braided 300 mm metal push fit with serv. valve
Outlet Size	22 mm push-fit
Temperature	25° max. ambient
Filling Rate	0.2 Lt/s @ 1.0 bar (maintained) 0.3 Lt/s @ 1.5 bar (maintained)
Approval	KIWA UK 0903703 (no pump)

### Dimensions



AB18T – Rainwater header with Type AB air gap. Supplied complete with stainless steel screened slot, wall bracket incorporating drip tray, two float valves and two inlet hoses with servicing valves.

### Applications

Fluid Category 5 applications (with sufficient head)

- Toilets
- Clothes washing machines
- Hose Union Taps
- Underground or surface irrigation – see [HUBG datasheet](#)
- Applications deemed to be Category 5 by water company

### Water Regulations

Clause G14.2 makes it clear that rainwater (greywater) is Fluid Category 5 per se and therefore a Type AB air break is required to the mains (wholesome) supply, irrespective of the application Fluid Category. Greywater is not suitable for domestic use and is generally used for WCs and washing machines.

### Codes and Descriptions

Size	Code	Description
18 lt	AB18T	Rainwater Header Break Tank Wall Tray

### Arrow Valves Ltd

Tel: 01442 823123 Fax: 01442 823234

[www.arrowvalves.co.uk](http://www.arrowvalves.co.uk)

Arrow Valves Ltd reserve the right to change specifications, design and materials at any time without notice. All unit-less dimensions in mm.  
© Copyright Arrow Valves Ltd 2011-2013

