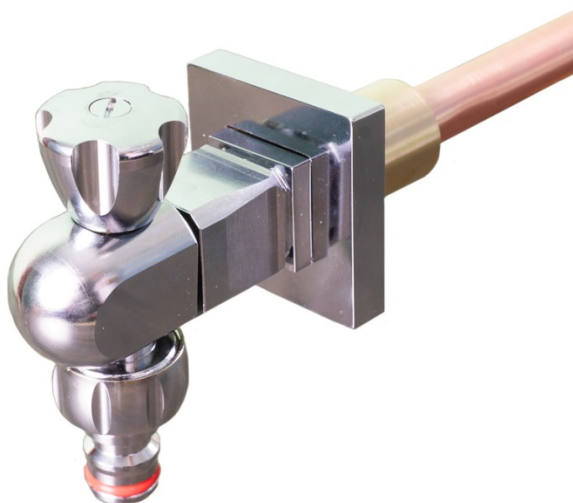




Installation Instructions / Operating & Maintenance Manual “Detach-A-Tap” Model HUD



FOREWORD

The “Detach-A-Tap” is a removable hose union tap with connection for universal garden components. A push-fit connection allows the tap outlet fitting to be removed when not in use, preventing any possible waste or misuse.

Inserting the tap outlet into the wall fitting automatically opens the flow of water with one simple action. Once the tap outlet has been inserted, it is free to rotate to find the optimum position for the desired use.

SUPPORTING LITERATURE

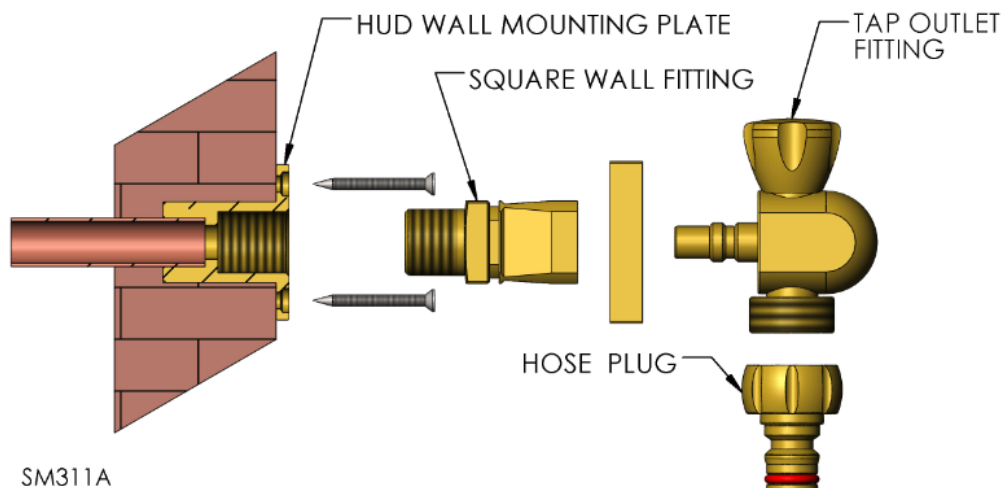
HUD Datasheet

SECTION	ITEM
1.0	INSTALLATION – REAR ENTRY (USING HUD WALL MOUNTING PLATE)
2.0	INSTALLATION – TOP & BOTTOM ENTRY (USING WALL PLATE ELBOW)
3.0	OPERATION
4.0	MAINTENANCE
5.0	ACCESSORIES
6.0	SPARES

Operating & Maintenance Manual – Detach-A-Tap – Arrow Valves

1.0 INSTALLATION – REAR ENTRY (USING HUD WALL MOUNTING PLATE)

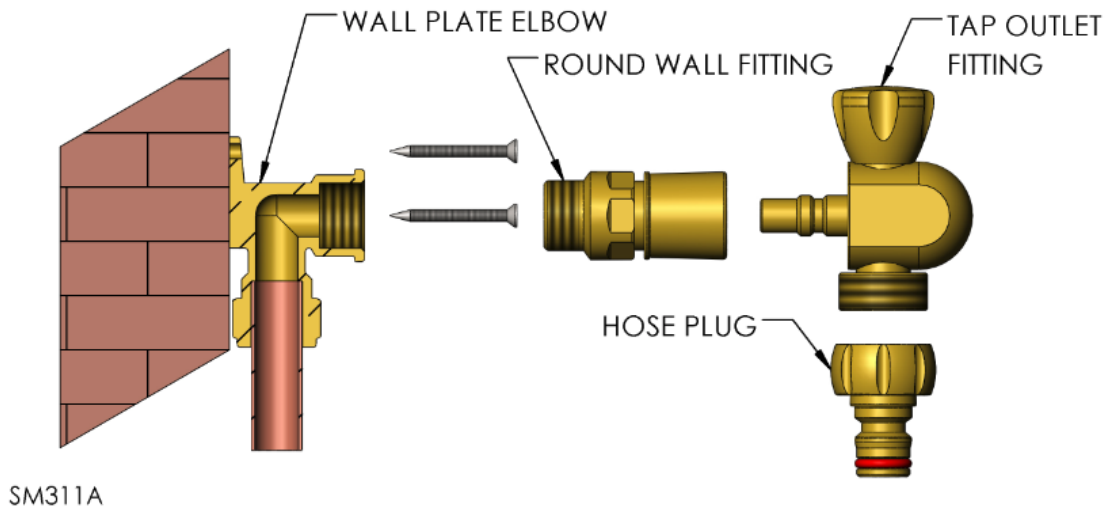
- 1.1. Frequently an Installation Kit (code HUDINKIT) is provided with the “Detach-A-Tap”, which includes – full bore Servicing Valve, low loss Double Check Valve, push-fit metal elbow and brass DN15 Inter-lock hose connector.
- 1.2. The HUD Wall Mounting Plate (code PC15HUDWMP) is supplied with 375 mm of copper tube to pass through the wall. Drill an approximate size hole through the wall to accept the Wall Mounting Plate and copper tube. (A cleaner hole is normally achieved if drilling from the inside).
- 1.3. Secure the Wall Mounting Plate with two screws and wall plugs where necessary.
- 1.4. Screw the “Detach-A-Tap” Wall Fitting into the HUD Wall Mounting Plate.
- 1.5. Generally the supply pipe will be parallel with the inner wall, requiring an elbow. A solder joint is not permitted due to the insulation and plastic materials. A Tectite push-fit elbow is supplied in the Installation Kit – or use a compression elbow. Trim the pipe to the appropriate length with pipe cutter. If a saw is used, deburr the inside and outside of the pipe.
- 1.6. Appropriate backflow prevention (contact Arrow Valves for more information) must be provided. Most applications are deemed to be Fluid Category 3 requiring a Double Check Valve inside the building. A low loss Double Check Valve and a Servicing Valve are supplied in the Installation Kit. Installations in or close to a bin store for example are Fluid Category 5 and must be supplied from a Break Tank with AB air gap – contact Arrow Valves.
- 1.7. Install a Servicing Valve upstream of the Double Check Valve.



2.0 INSTALLATION – TOP & BOTTOM ENTRY (USING WALL PLATE ELBOW)

- 2.1. Secure the Wall Plate Elbow (code PC15TWPELB) with three screws and wall plugs where necessary.
- 2.2. Fit the 15 mm supply pipe to the inlet connection of the Wall Plate Elbow – model PC15TWPELB has a push-fit connection.
- 2.3. Screw the “Detach-A-Tap” Wall Fitting into the Wall Plate Elbow.
- 2.4. Appropriate backflow prevention (contact Arrow Valves for more information) must be provided. Most applications are deemed to be Fluid Category 3 requiring a Double Check Valve. This should be in the building where practical. A low loss Double Check Valve and a Servicing Valve are supplied in the Installation Kit. Installation in or close to a bin store for example are Fluid Category 5 and must be supplied from a Break Tank with AB air gap – contact Arrow Valves.
- 2.5. Install a Servicing Valve upstream of the Double Check Valve.
- 2.6. Insulate the exposed supply pipe.

Operating & Maintenance Manual – Detach-A-Tap – Arrow Valves



3.0 OPERATION

- 3.1. Inserting the tap outlet fitting into the wall fitting automatically opens the flow of water with one simple action.
- 3.2. Once the tap outlet fitting has been inserted, it is free to rotate to find the optimum position for the desired use.
- 3.3. Connect hose with brass “Inter-Lock” (supplied in Installation Kit) or plastic “Hozelock” connector. Note – brass type requires the release ring to be pulled back when pushing connector in.
- 3.4. To open the tap, rotate the handle anti-clockwise.
- 3.5. When not in use, the tap outlet fitting can be removed to prevent any possible waste or misuse. Push the wall fitting towards the wall to release the tap outlet fitting.
- 3.6. Ensure the tap is not used for applications requiring higher backflow protection than provided.

4.0 MAINTENANCE

- 4.1. Do not clean the component using aggressive substances.
- 4.2. The product can be cleaned using a damp cloth.
- 4.3. Do not oil or lubricate any part of these components, such action can result in a loss of watertight connection.
- 4.4. To ease installation you can dampen the components with water.
- 4.5. Externally the product must be kept clean and dry.
- 4.6. Do not leave wet cloths or sponges on the component, in time this would damage the chrome plating and oxidise the product.

5.0 ACCESSORIES

- 5.1. Hose Connector Socket – HUG7903 (15 mm) and HUG7933 (20 mm). The brass hose connectors require the release ring to be pulled back to connect and disconnect from the hose plug.
- 5.2. DB Pipe Interrupter – DB20FM256. This provides Fluid Category 4 protection for porous irrigation hoses. The DB Pipe Interrupter is fitted between the Tap Outlet and Hose Plug.

6.0 SPARES

- 6.1. Please contact Arrow Valves for any spares required on 01442 823123 or online at www.arrowvalves.co.uk.