

Filterball

Model FB – Combined Isolating Valve & Strainer - Data Sheet

Description

Quarter turn Isolating Ball Valve with removable Strainer inside the ball. In the closed position, both upstream and downstream connections are isolated and the Strainer can be inspected and removed through the side port. This single unit replaces the traditional Y Strainer and two Isolating Valves. The single unit reduces installation time, joints, space and cost. Furthermore the headloss is less than a comparable Y Strainer due to the straight-through design.

Connection Pipes

Copper – Compression fittings or male flat-faced (use solder unions for copper tube)
 Steel – Female BSPP
 Plastic – Fittings available for most plastic systems.

Specification

Pressure / Temp. 16 bar max @ 100° C.
 10 bar max @ 150° C
 Differential Pressure 16 bar

Materials

Body, Cap Nut DZR Brass CZ132
 Ball Chrome Plated DZR Brass CZ132
 Seat Virgin P.T.F.E
 Strainer Basket AISI 304 Stainless Steel
 Circlip Bronze Cu Sn 7 UNI 2527-74 H5

Strainers

The standard Strainer coarseness is 700 µm (0.7 mm). Finer Strainers have a higher headloss and are more likely to block prematurely. The valve should not be used as a control valve (i.e. partially open) since debris can bypass the Strainer in this position. Always replace the Circlip after cleaning Strainer.

Options

- Spindle extensions, raising lever by 46 mm to accommodate insulation. Existing lever is re-used.
- Tee and geared handles
- Lift & Lock tamperproof spindle cap.
- Backflush version, where Strainer can be cleaned without removing

Applications

Filterball valves may be used for potable water, heating, cooling, and hot water services, compressed air, gas and oil.

Headloss

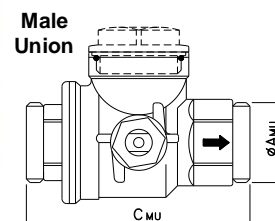
The table below shows the K_v headloss values for a fully open valve with clean strainer.

Size DN	Thread BSPP Female	700 micron
15	1/2"	6.5
20	3/4"	7.5
25	1"	14.5
32	1 1/4"	20
40	1 1/2"	31
50	2"	60

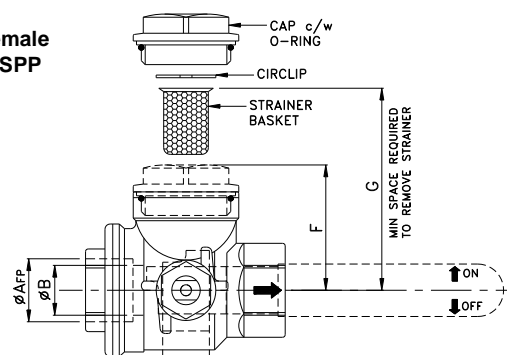
K_v is the flow required in m³/hr to produce a differential pressure drop across the valve of 1 bar.



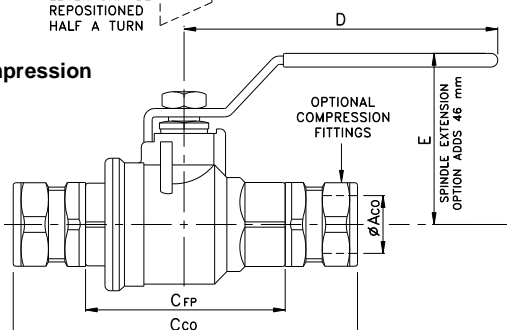
Filterball with Male Union ends. Solder Unions and flat washer secure copper pipes. No need to spring pipes apart. Flat faced connections also suitable for Press-Fit, Friatherm, Unipipe etc. Note thread is one size larger than nom. valve size. (Please check lead-time on this version).



Female BSPP



Compression



Sizes and Dimensions

DN	A _{FP}	A _{CO}	A _{MU}	B	C _{FP}	C _{CO}	C _{MU}	D	E	F	G	Kg _{FP}
15	1/2"	15	3/4"	13	77	133	91	120	61	44	58	0.78
20	3/4"	22	1"	19	77	138	91	120	61	44	58	0.71
25	1"	28	1 1/4"	25	95	158	115	120	66	51	71	1.16
32	1 1/4"	35	1 1/2"	32	111	185	135	150	82	60	88	1.85
40	1 1/2"	42	2"	38	127	210	155	150	89	74	110	2.80
50	2"	54	N/A	52	154	255	190	200	120	90	135	4.90

Codes and Descriptions

Size	Code	Description
DN15	FB15FP700	FilterBall 700 µm Strainer FBSP
DN20	FB20FP700	FilterBall 700 µm Strainer FBSP
DN25	FB25FP700	FilterBall 700 µm Strainer FBSP
DN32	FB32FP700	FilterBall 700 µm Strainer FBSP
DN40	FB40FP700	FilterBall 700 µm Strainer FBSP
DN50	FB50FP700	FilterBall 700 µm Strainer FBSP

Contact Arrow Valves for Factory Fitted Pipe Connectors

Arrow Valves Ltd

Tel: 01442 823123 Fax: 01442 823234

www.arrowvalves.co.uk

Arrow Valves Ltd reserve the right to change specifications design and materials at any time without notice. All unit-less dimensions in mm.

© Copyright Arrow Valves Ltd 2001-2013

