



SHOP & BUSINESS

L-SERIES



TEDDINGTON



Brilliant, simple and efficient.

Maintenance friendly
filter sizes



Easy removable filter elements
with snap-on fixing



Individually adjustable
exhaust lamellas



For all Standard Applications in Shopping & Business Areas.

In many applications in the shopping & business area an air curtain system with moderate power and suitable comfort may be sufficient enough for the every days use.

The L-series, devices especially designed for these applications by Teddington, provide the perfect price/performance ratio, without missing sound technology and attractive appearance.





Fields of Application

Multi purpose usage, ready to install device in 3 total lengths, face side air intake for visible free hanging mounting, directly above the door.

Design

CNC manufactured sheet steel housing with modern design, powder coated in the color RAL 9016 (white). Efficient air exhaust with aero dynamic shaped individually adjustable anodized air guiding lamellas in natural color. Noise reducing lining in the blow out section. Air intake via decoration



filter elements, made of aluminum, anodized in natural color.

Manufactured according to TEDDINGTON Quality Management System DIN EN ISO 9001-2000.

Mounting

Easy installation with female thread M 8 at top of the device and optional available mounting set.

Maintenance

Easy accessible revision flap with single hinge at bottom of the device.

The individual filter elements with the maintenance friendly sizes 500 x 205 mm, can easily be removed due to snap-on fixings. The filters can be cleaned in washing machines because of their small dimensions and the used material.

Hot Water Type

Heat exchanger made of Cu/AL for pump hot water, connections with female threads 3/4", tamper proof locked.

Electro Type

Electro heater with resistance heater elements, corrosion proof with spiral shaped lamellas and thermal overheat protection.

Fans

Vibration free bearings, double sided air intake by radial fans with AC motors 230 V / 50 Hz. Full motor protection by external thermal contacts.

Controlling via 8 step transformers, regularly integrated in the device.

Control System

The devices are regularly equipped with a 3 steps control switch for easily adjusting the output power.

Your Advantages

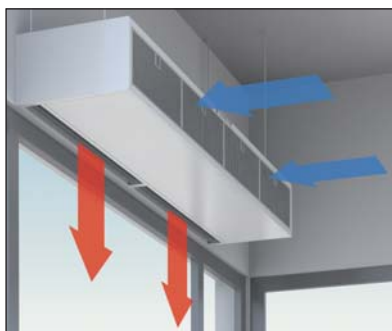
- Stable self supporting sheet steel housing
- Available in lengths of 1000, 1500 and 2000 mm ex stock in RAL 9016
- Easy removable filter elements, fixed with snap-on system
- Easy to clean filter elements in maintenance friendly sizes
- Long filter standing times
- Sound lamella technology at the blow out section
- Simple operating due to 3 steps controller

The L-series at a glance.

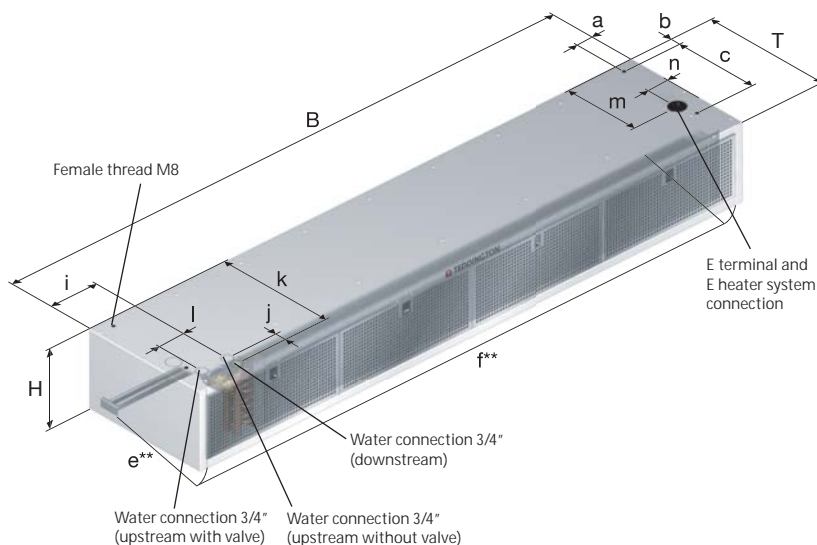
Dimensions

Dimensions			Mounting			Revision flap		Pipe connection				Electro	
Width B [mm]	Height H [mm]	Depth T [mm]	a [mm]	b [mm]	c [mm]	e [mm]	f [mm]	i [mm]	j [mm]	k [mm]	l [mm]	m [mm]	n [mm]
1050	260	450	60	35	295	342	(B - 52)	175	38	410	95	270	80
1550	260	450	60	35	295	342	(B - 52)	175	38	410	95	270	80
2050	260	450	60	35	295	342	(B - 52)	175	38	410	95	270	80

Technical alterations reserved.



Wall or ceiling mounting in visible areas. Air take-in at forehead side.



** Dimensions of the revision flap

Series	L-Series		
Total width [cm]	100	150	200
max. mounting height [m]	2.5	2.5	2.5
Air quantity [m ³ /h]	1500	2100	3000
Noise level in 3 m lateral distance [dB(A)]	55	56	57
Pipe connection upstream [inch]	3/4	3/4	3/4
Pipe connection downstream [inch]	3/4	3/4	3/4
Heater power Electro [kW] 3 steps, 400 V, 3 Ph., 50 Hz	9	12	18
Electro data of fans [V]	230	230	230
Electro data of fans [kW]	0.48	0.48	0.72
Electro data of fans [A]	2.1	2.1	3.15
Weight „S“ [kg]	40	45	65
PWW 80/60°C and 70/50°C (-N)			
Heater power at 20/37°C [kW]	9.1	12.9	18.1
Through flow quantity [m ³ /h]	0.40	0.57	0.80
Water resistance [kPa]	3.00	3.10	2.80
Heater power at 15/37°C [kW]	11.9	18.2	25.6
Through flow quantity [m ³ /h]	0.43	0.8	1.13
Water resistance [kPa]	4.6	8	6.2
PWW 60/40°C (-NT)			
Heater power at 20/37°C [kW]	9.1	12.9	18.1
Through flow quantity [m ³ /h]	0.45	0.60	0.86
Water resistance [kPa]	3.6	5.9	6.3

Technical alterations reserved.

Order key

L = item

100, 150, 200 = total width in cm

N = Pump hot water 70/50°C

NT = Pump hot water 60/40°C

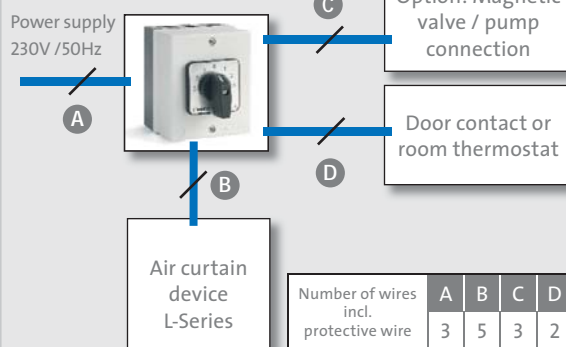
E = Electrical heater system

L 100 N = Example

Connection diagram

Standard controller ST 3G

Power supply 230V / 50Hz



L device with controller system ST 3G

Number of wires incl. protective wire	A	B	C	D
	3	5	3	2

For more technical information please contact: www.teddington.de



Thermostat



Electro mechanic room air thermostat ERT

5 - 30 °C with bimetallic contact, white (similar to color RAL 9010), switching capacity 230 V AC, 50...60 HZ, 10 A (4 A inductive) switching difference 0.5 K, protection grade IP 30. Humidity 0...95 %, non condensing, operating temperature 0...40 °C, thermal feedbacks, dimensions 75 x 75 x 25 mm.

Repair switch



Repair switch REP-L

3 pole repair switch as wall mounting type, as unpacked by-pack for installation at site in the connection cable.

Door contact



Door contact Type TK

Protection grade IP 65. jumper switch with H switches and full contact up to time of switching, shock-proof terminals according to VDE 0106, part 100 (VGB 4), cable gland 2 x PG 13.5 at bottom and at side, switching voltage 230 V AC, 24 V DC, switching current 6 A AC, 4 A DC.

Suspensions



Ceiling mounting bracket DH

Suspension bracket, vibration damper, threaded rods 1 m, securing and counter nut, anchor bolt, minimum space required 0.1 m, hanging down length 1 m (4 pcs. per each L-Series air curtain device).



Comfort ceiling mounting bracket DHD

Suspension bracket, vibration damper 17 dB, turnbuckle, right-left threaded bolt, threaded rods 1 m, securing and counter nut, drive in dowel, minimum space required 0.2 m, hanging down length 1.1 m (4 pcs. per each L-Series air curtain device).

Quality is our highest demand.



Independently of what device you may decide for – at Teddington's you can be sure to have chosen a high performance product having a name in the market and featuring the latest state of the art technology.

With our experience over many years we can guarantee, that each device is composed of high grade, well proven components.

And we are continuously developing new techniques, which are minimizing your operating costs and optimize the efficiency of the devices.

Teddington is a long lasting partner of the specialized craft business, of trade and industry.

A staff of experienced specialists care almost around the clock for making sure to continuously satisfying the world wide demands for precise and high quality air curtain products.

Teddington runs a network of competent special firms, which are always available for you.

We will assist you in planning and supporting your choice for that device, which suits your needs most and will also support you after the time of putting the equipment into operation by a comprehensive service.

... typically Teddington.



Device technology, intelligent controller systems and service – all matching perfectly.

The better the consultation, the better the result will be.

Modern production facilities with CNC technology ensure a very high quality standard.

Innovation is our main commitment. For example, the patented nozzle technology.

No device will leave the production, which has not been tested entirely on all functions.

www.teddington.de

TEDDINGTON. Pioneers of the Air Curtain Technology.

Innovative Technology

Highest Economy

Trendsetting Design

Top Quality

Perfect Service

... that's Teddington.



Teddington Luftschleieranlagen GmbH
Industriepark Nord 42 · D-53567 Buchholz (Mendt) · Germany
Tel. +49 (2683) 9694-0 · Fax +49 (2683) 9694-50
info@teddington.de · www.teddington.de