

Pressure Reducing Valve (PRV)

Model PRV535 – Light Industrial - Datasheet

Description

The 535 PRV from Arrow Valves is designed to provide a constant outlet pressure despite varying inlet pressures. The outlet pressure is adjustable between 1 – 6 bar. The inlet pressure must be higher than the desired outlet pressure.

The outlet pressure is factory set at 3 bar and adjustments can be made at any time by rotating the cap above the pressure indicator clockwise for higher pressure, anti-clockwise for lower.

A pressure gauge is supplied with each PRV, which indicates the outlet pressure. This may be removed and a plug fitted (supplied) if required. The gauge may be rotated half a turn to facilitate right and left configuration.

This direct acting PRV may be installed in horizontal or vertical pipes. Flat-faced unions enable the valve to be quickly installed and orientated and a range of connections are available to suit various pipes. Upstream and downstream Servicing Valves (SV) are **strongly recommended** to avoid draining for maintenance – e.g. cleaning internal strainer. Solder union connections are also available to eliminate the blow-out risk of inadequately tightened compression ends.

Connection Pipes

Copper – Solder Unions or Compression
 Steel – Male Union BSP taper tails
 Plastic – Fittings available for most plastic systems

Specification

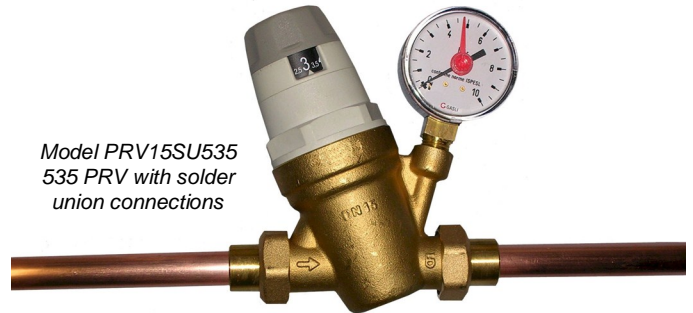
Pressure Inlet 25 bar max.
 Pressure Outlet 1–6.0 bar
 Pressure Factory Set 3 bar
 Temperature 60° max.
 Strainer 510 µm (0.51 mm)

Materials

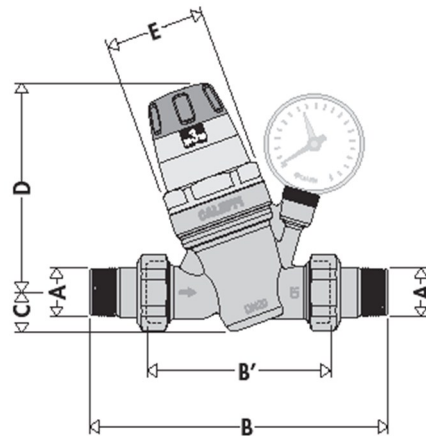
Body DZR brass
 Seat, Springs, Strainer POM Acetal
 Diaphragm, Seal NBR

Applications

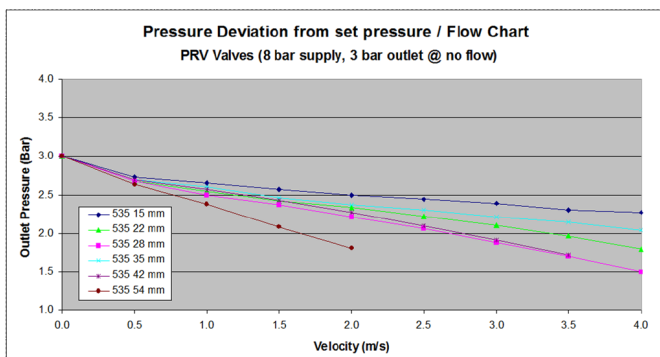
- Reducing excessive mains pressure
- Water conservation



Model PRV15SU535
 535 PRV with solder
 union connections



DN	A _M	A _{Cu}	B	B'	C	D	E	Kg
15	1/2"	15	140	76	20,5	112	54	0,92
20	3/4"	22	160	90	20,5	112	54	1,06
25	1"	28	180	95	20,5	112	54	1,38
32	1 1/4"	35	200	110	40	178	73	2,6
40	1 1/2"	42	220	120	40	178	73	3,4
50	2"	54	250	130	40	178	73	4,3



Notes
 Velocity based on flow of water through the bore of copper tube table X.
 See Flow Table to find the actual flow rate.
 Valves tested with 8 bar inlet pressure. Outlet set to 3 bar with no flow.
 Outlet pressure reduces due to frictional resistance and valve characteristics.

Codes and Descriptions

Size	Code	Description
15 – 54 mm	PRVsizeSU535	535 PRV, Gauge 1-6 bar Solder Union
DN15 - 50	PRVsizeMU535	535 PRV 1-6 bar Male Union Gauge

Options

- A plug can be fitted in place of the gauge (supplied)
- For lower head loss refer to PRV536 & PRV1300

Arrow Valves Ltd

Tel: 01442 823123 Fax: 01442 823234

www.arrowvalves.co.uk
 info@arrowvalves.co.uk

Arrow Valves Ltd reserve the right to change specifications, design and materials at any time without notice.
 All unit-less dimensions in mm.

© Copyright Arrow Valves Ltd 2001-2012

