

# Pressure Regulating Valve (PRV)

## Model PRV1300 - JRG Industrial - Datasheet

### Description

The 1300 PRV from Arrow Valves is designed to provide a constant outlet pressure despite varying inlet pressures. The 1300 range has **exceptionally** high material and performance specifications. Three outlet pressure ranges are available – see specification. The inlet pressure must be higher than the desired outlet pressure.

The outlet pressure is factory set at 4 bar (standard model - model PRV1310) and adjustments can be made at any time by inserting the hexagon key (supplied) through the top cover. Turn clockwise to increase the pressure.

A pressure gauge is supplied with each PRV, which indicates the downstream pressure. This may be removed and a plug fitted (supplied) if required. Two gauge ports are provided to allow right and left configurations.

This direct-acting PRV may be installed in horizontal or vertical pipes. Flat-faced unions enable the valve to be quickly installed and orientated and a range of pipe connectors is available to suit various pipes. Upstream and downstream Servicing Valves are **strongly recommended** to avoid draining for maintenance – e.g. cleaning internal strainer. See factory SV versions - with compression ends.

### Connection Pipes

- Copper – Solder Unions or compression
- Steel – Male Union taper tails (as shown).
- Plastic – Fittings available for most plastic systems.

### Specification

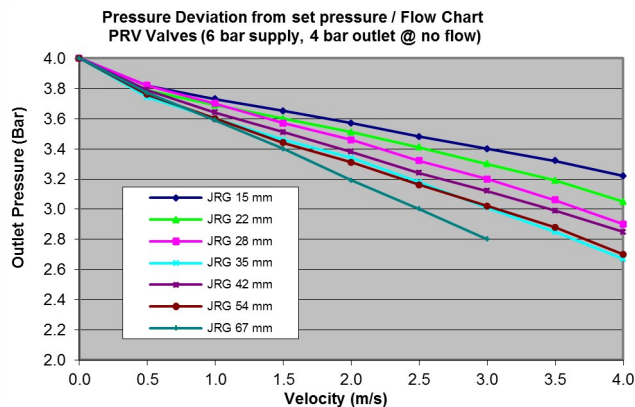
Pressure Inlet	25 bar max.
Pressure outlet	2.0-6.0 bar (model PRV1310) std
Pressure outlet	0.5-2.0 bar (model PRV1320)
Pressure outlet	6.0-10.0 bar (model PRV1330)
Pressure factory set	4 bar (model PRV1310)
Pressure factory set	2 bar (model PRV1320)
Pressure factory set	6 bar (model PRV1330)
Temperature	70° max.
Strainer	1000 µm (1.0 mm)

### Materials

Body	Gunmetal
Seat, Springs, Strainer	Stainless steel

### Applications

- Reducing excessive mains pressure.
- Controlling pump outlet pressure.
- Pressure regulation per floor, water conservation.

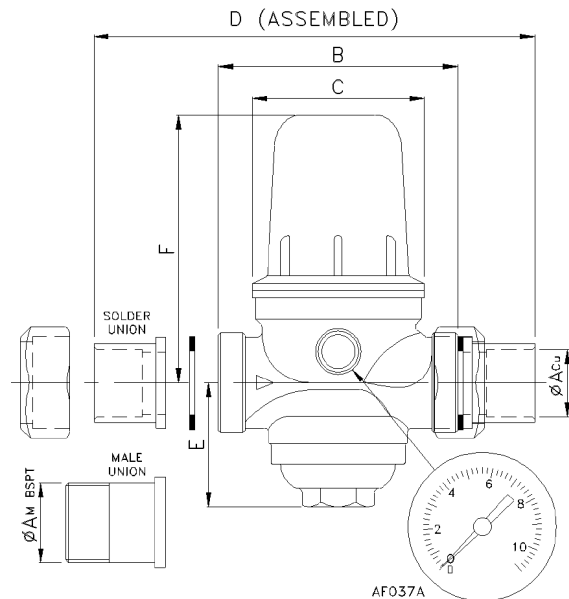


### Notes

Velocity based on flow of water through the bore of copper tube table X. See Flow Table to find the actual flow rate. Valves tested with 6 bar inlet pressure. Outlet set to 4 bar with no flow. Outlet pressure reduces due to frictional resistance and valve characteristics.



PRV fitted with full bore servicing valves and solder unions for copper pipe.



DN	A <sub>M</sub>	A <sub>CU</sub>	B	C	D <sub>SU</sub>	D <sub>MU</sub>	D <sub>SVComp</sub>	D <sub>SVSU</sub>	E	F	Gauge
15	1/2"	15	80	52	124	148	224	328	29	79	1/8"
20	3/4"	22	86	58	143	159	267	373	36	86	1/8"
25	1"	28	100	70	154	184	308	440	52	110	1/4"
32	1 1/4"	35	120	77	182	212	356	506	64	121	1/4"
40	1 1/2"	42	160	94	232	241	426	551	80	157	1/4"
50	2"	54	176	103	258	289	488	328	98	172	1/4"
65	2 1/2"	N/A	180	103		310	224	373	98	172	1/4"

### Codes and Descriptions

Size	Code	Description
15 - 54 mm	PRVsizeSU1310SV	1310 PRV Gauge Serv Valves SU
15 - 67 mm	PRVsizeC1310SV	1310 PRV, Gauge, Serv Valves Comp
DN15 - 65	PRVsizeFP1310SV	1310 PRV, Gauge, Serv Valves FBSP
15 - 54 mm	PRVsizeSU1310	1310 PRV, Gauge 2-6 bar Solder Union
DN15 - 65	PRVsizeMU1310	1310 PRV, Gauge 2-6 bar Male Union

The code and description reference "1310" refers to 2-6 bar. Substitute - "1320" for 0.5-2 bar or "1330" for 6-10 bar  
The PRV1310 has a pressure rating of 2 – 6 bar and incorporates two springs – a large and small spring. The PRV1320 has a pressure rating of 0.5 – 2 bar and incorporates just one small spring.

The PRV1310 may be converted to a PRV1320 on-site by removing the larger spring. To do this, loosen the adjusting screw to relieve the spring pressure, unscrew the top cover, remove the large spring and reassemble.

### Arrow Valves Ltd

Tel: 01442 823123 Fax: 01442 823234  
www.arrowvalves.co.uk  
info@arrowvalves.co.uk

Arrow Valves Ltd reserve the right to change specifications design and materials at any time without notice.  
All unit-less dimensions in mm.  
© Copyright Arrow Valves Ltd 2001-2012

