

Single Check Valve

Model EB235 – Chrome - Female x Male & Male x Female - Data Sheet

Description

Single Check Valves (type EB) with chrome plated brass body. The female inlet type are primarily intended for backflow protection from flexible hoses and are usually fitted between the servicing valve (or tap) and a hose. The male inlet types are often suitable for fitting to a tap tail. Single Check Valves only provide Fluid Category 2 protection yet many applications in the UK are deemed Fluid Category 3 – see ED235 range.

The Single Check Valve can be fitted to a washing machine hose (DN20) to prevent distasteful water contaminating the drinking (wholesome) water supply. Poor quality water from washing machine and dishwasher hoses is known to cause taste problems at the kitchen sink tap - use EB20FM235.

A Single Check Valve device can also be fitted to a hose to compliment a single check fitted to the tap supply, thereby providing Fluid Category 3 protection (type ED).

These valves can quickly be fitted. An EPDM washer is supplied with each device to facilitate fitting to flat-faced outlet.

Pipe Connections

The EB20FM235 has a female inlet and the male outlet. This configuration is ideal for washing and dishwashing machine hoses. Washing machine servicing valves normally have a 3/4" male thread (DN20), permitting the direct fitting of this check valve. All threads are BSP parallel.

The EB15MF235 has a 1/2" male inlet and can be fitted to a tap tail. Many applications require a double check – ED15MF235



EB20FM235 Single Check Valve designed specifically for the upstream of washing & dishwashing machine hoses to prevent taste problems. Female inlet, EPDM washer supplied

Water Regulations

Single Check Valves are suitable for backflow protection of Fluid Category 2 risks as defined in the new Water Regulations – July 1999.

A Single Check Valve on a clothes / dish washing machine hose is intended to address taste problems caused by the hose. The machine must have Fluid Category 3 protection for use in a house and Category 4 or 5 for other uses (see www.arrowvalves.co.uk click on tutorial 4).

The Water Regulations generally require "Point of Use" protection. The local water company can advise.

Materials

Body	Brass – chrome plated
Springs	Stainless steel
Cartridges	POM
Elastomers	NBR

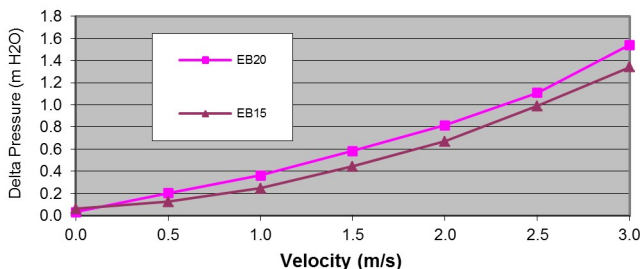
Applications

- Washing machine hose
- Prevent mixing of hot and cold water in mixer taps
- Upgrading an existing EB device to ED device

Specification

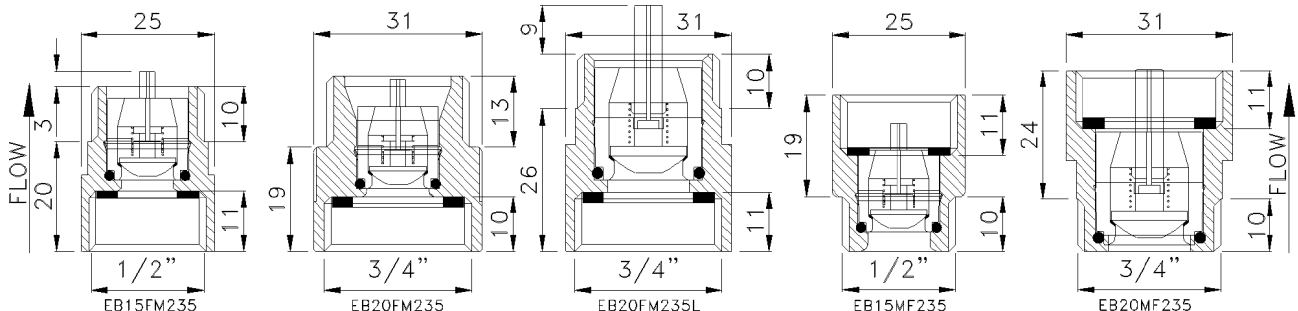
Pressure	10 bar max.
Test Pressure	16 bar (reverse)
Opening Pressure	0.013 bar
Temperature	Continuous - 65° C Intermittent - 90° C
Approval (EB235 complete)	KIWA UK 0810702

Head Loss / Flow Chart Model EB235



Note - Velocity based on flow of water through the bore of copper tube table X. See Flow Table to find the actual flow rate.

Dimensions



NOTE – DEPTH OF FEMALE THREAD IS REDUCED BY 1.5 mm WHEN EPDM WASHER (SUPPLIED) IS FITTED

AM113A

Codes and Descriptions

Size	Code	Description	Typical Application
DN15	EB15FM235	Single Check Valve F inlet - M Chrome	Shower hose – in addition to existing single check – or use double check ED15FM235
DN20	EB20FM235	Single Check Valve F inlet - M Chrome	Washing and dishwashing machine between valve and hose inlet
DN20	EB20FM235L	Single Check Valve F inlet - M Large Chrome	Larger / high flow version – not suitable for washine washing hoses
DN15	EB15MF235	Single Check Valve M inlet - F Chrome	1/2" Tap tail – in addition to existing single check – or use double check ED15MF235
DN20	EB20MF235	Single Check Valve M inlet - F Chrome	3/4" Tap tail – in addition to existing single check – or use double check ED20MF235

Arrow Valves Ltd

Tel: 01442 823123 Fax: 01442 823234

www.arrowvalves.co.uk info@arrowvalves.co.uk

Arrow Valves Ltd reserve the right to change specifications, design and materials at any time without notice. All unit-less dimensions in mm. © Copyright Arrow Valves Ltd 2001-2012

