

Automatic Waterstop Valve

Model AWS20FM – Chrome Female x Male - Datasheet

Description

Automatic Waterstop Valve with chrome plated brass body, designed to protect domestic appliances from causing major leaks due to a ruptured hose. The device automatically shuts off the water supply to the appliance when it detects an excess flow of at least 0.3 litres per second.

Washing machines and dishwashers require a regular water supply of approximately 0.2 litres per second. A leak fed at this flow rate can cause serious flood damage to a domestic property. The Automatic Waterstop Valve will stop the water supply in the event of a break/rupture to the hose or if it is completely detached from the line.

The valve works with both cold and hot water and is suitable for use with washing machines, dishwashers and plumbed fridge freezers.

Connection Pipes

The AWS20FM has a female inlet and male outlet. This configuration is ideal for washing machines and dishwashing machine hoses. All threads are BSP parallel.

Specification

Pressure Supply min.	1 bar
Pressure Supply max.	10 bar max.
Temperature	90° C max.
Shut off flow	0.3 Lt/s

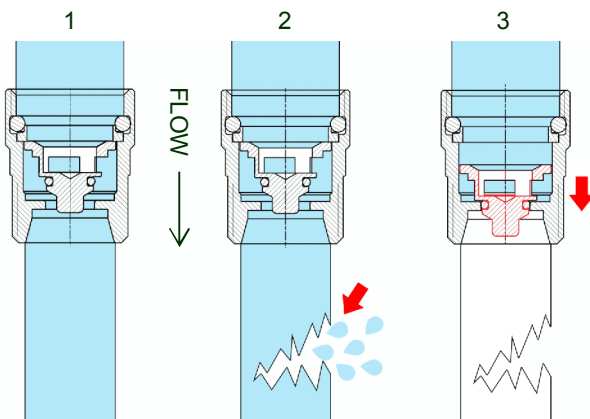
Materials

Body	Brass – chrome plated
Seat	Brass
Elastomers	EPDM
Spring	Stainless steel 302

Applications

- Washing Machines
- Dishwashers
- Plumbed Fridge Freezers
- Timer Irrigation Systems

Working Principle



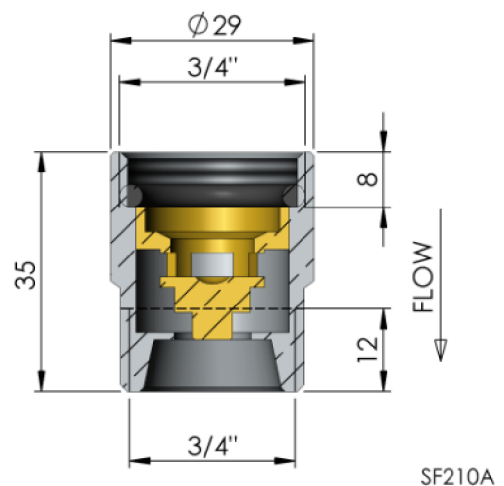
1. Normal operation – water flows through device.
2. Break or rupture to hose downstream of Waterstop.
3. Waterstop detects excessive flow as a result of the break or rupture and shuts off the water supply.



Installation

The female thread must be secured to the tap / isolating valve. The water must flow from the end with the internal thread to the end with the external thread. Warning: The Waterstop safety device will not work with water mains pressures below 1 bar.

Dimensions



Codes and Descriptions

Size	Code	Description
DN20	AWS20FM	Automatic Waterstop Valve For Washing Machine Hoses DN20

Arrow Valves Ltd

Tel: 01442 823123 Fax: 01442 823234

www.arrowvalves.co.uk

Arrow Valves Ltd reserve the right to change specifications, design and materials at any time without notice.

All unit-less dimensions in mm.
© Copyright Arrow Valves Ltd 2016

