

### ► Simple, Reliable and Accurate

- Automatic and autonomous operation
- Easy adjustment and maintenance
- Approved materials
- CLA-VAL guarantee

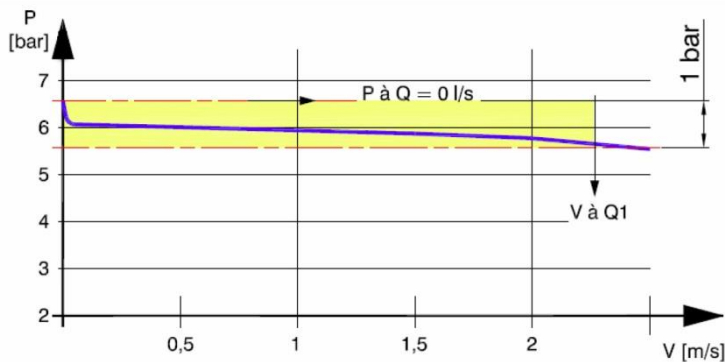
#### ► AQUA-PRV/FL Operation

The model AQUA-PRV/FL reduces a higher inlet pressure to a lower downstream pressure, regardless of upstream pressure and flow variations.

The simple and robust design of the model AQUA-PRV/FL allows stable operation, minimal maintenance as well an assembly in various positions.



#### ► AQUA-PRV/FL Performances and Characteristics



DN	40/50	60/65	80	100	125	150
Q1 [l/s]	4,0	7,0	11,0	17,0	26,0	38,0
Q2 [l/s]	3,9	6,6	10,0	15,7	24,5	35,3
Q3 [l/s]	8	13	20	31	48	70

Q1 : Flow based on 1 bar pressure drop across the valve

Q2 : Recommended flow based on 2 m/s velocity

Q3 : Intermittent flow based on 4 m/s velocity

#### ► AQUA-PRV/FL Technical Data

**Size :** DN 40 to DN 150

**Pressure and flange drillings :**

PFA 10 bar - ISO PN 10

PFA 16 bar - ISO PN 16

PFA 25 bar - ISO PN 25

PFA 40 bar - ISO PN 40

**Temperature range :** 1°C - 60°C

**Upstream pressure :** 40 bar max.

**Downstream pressure :** 2 to 14 bar (1 spring)

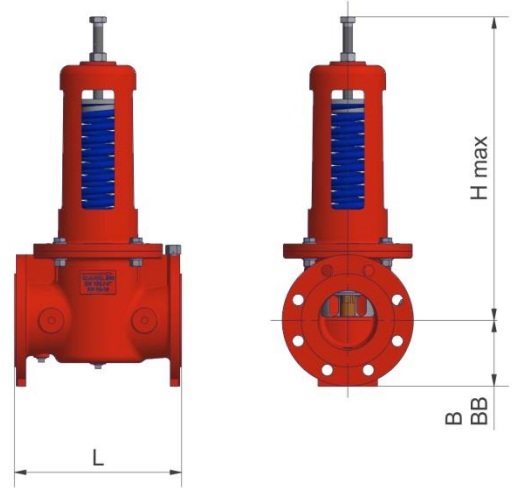
**Test :** Directive 2014/68/EU

**Leakage class :** ANSI/FCI 70-2 CLASS III

### ▶ AQUA-PRV/FL Dimensions

B : PN 10-16 / BB : PN 25

DN	40/50	60/65	80	100	125	150
L [mm]	230	240	260	280	320	350
H max. [mm]	325	400	460	575	815	815
B [mm]	83	13	20	110	125	143
BB [mm]				117,5	135	150
Weight [kg]	13	18	27	45	90	100



### ▶ AQUA-PRV/FL Advantages

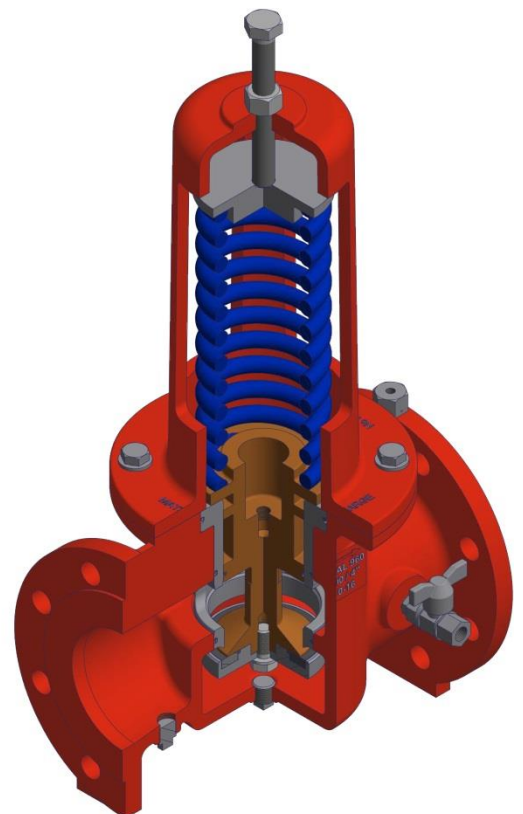
Downstream pressure reducing valve AQUA-PRV/FL, of new and original design, can be used in high rise buildings, industrial plants, irrigation or municipal water systems.

A one spring range only and cover maintenance are unique advantages of the model AQUA-PRV/FL. All moving parts are in a single, easily top removable insert.

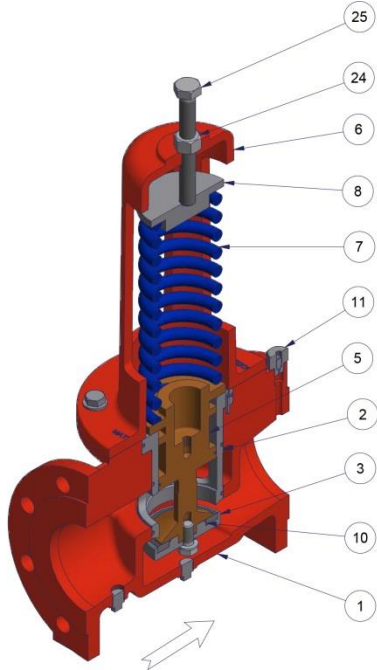
- Top removable insert
- Easy disassembling, tool available
- Low maintenance product
- Upstream pressure: 40 bar max
- Downstream pressure: 2 to 14 bar with 1 spring only
- Flexible mounting position
- 4 m/s velocity for appropriate Fire Protection

Unique !

**Top removable and 1 spring only!**



### ▶ AQUA-PRV/FL Construction



- Body and cover for high pressure in ductile iron GGG 40 epoxy coated.
- Valve / Disc guide in stainless steel.
- Seat in stainless steel.
- Screws and bolts in stainless steel.

POS	DESCRIPTION	MATERIAL
1	Body	Ductile iron - GGG 40
2	Seat	Stainless steel - AISI 316
3	Disc retainer	Stainless steel - AISI 303/304
5	Piston	Bronze - ASTM B62
6	Cover	Ductile iron - GGG 40
7	Spring	Steel
8	Spring guide	Stainless steel - AISI 303/304
10	Gasket	RBR
11	Air release plug	Stainless steel - AISI 303/304
24	Blocking nut	Stainless steel - AISI 303/304
25	Adjusting screw	Stainless steel - AISI 303/304

### ▶ AQUA-PRV/FL Installation and Maintenance

The pressure reducing valve AQUA-PRV/FL is assembled as shown on the typical installation schematic. Proper mounting is indicated by the inlet plate or flow arrows. The pressure reducing valve can be assembled in any position.

To vent the valve use the flange air release plug (11).

Adjust downstream pressure using the cover adjusting screw (25).

Turn the adjusting screw clockwise to increase the outlet pressure, counterclockwise to decrease pressure.

Internal piston and parts can be disassembled without removing the valve body from the main line. Upstream and downstream gate valve (1) drip tight closed

Typical installation:

- 1) Gate valve (downstream / upstream)
- 2) H-Strainer model AQUA 90-501
- 3) Downstream Pressure reducing valve model AQUA-PF
- 4) Dismantling joint
- 5) Air valve model 'NuVent'

