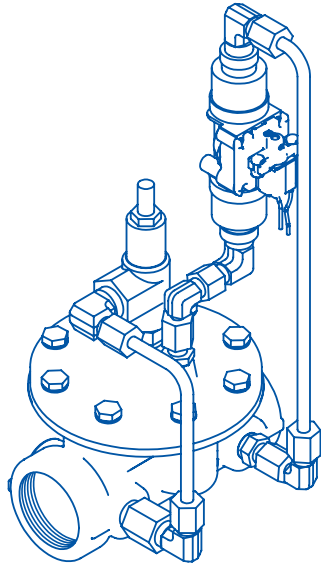


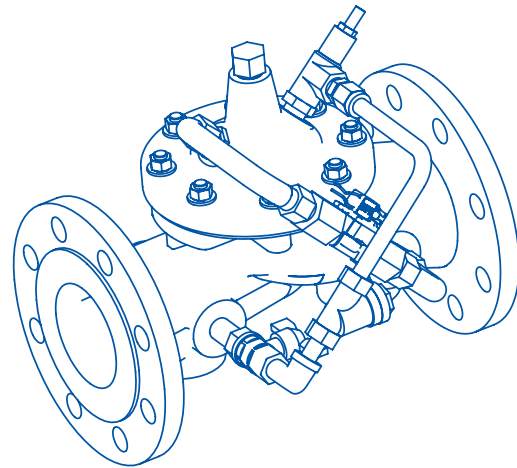
PRODUCT	TANKTRONIC
	CONTROL VALVE (BSP FITTING)
	CONTROL VALVE (FLANGED FITTING)



CONTROL VALVE Kv VALUES (FLANGED FITTING & BSP FITTING)



BSP fitting



Flanged fitting

FLOW RATE

FLOW PRESSURE	FLOW RATE FOR NOMINAL INCH (MM) VALVE AT STATED FLOW PRESSURE								
	BSP FITTING			FLANGED FITTING					
	¾"	1"	1 ¼"	1½"	2"	2½"	3"	4"	6"
	20mm	25mm	32mm	40mm	50mm	65mm	80mm	100mm	150mm
BAR	l/s	l/s	l/s	l/s	l/s	l/s	l/s	l/s	l/s
0.01	0.7	1.2	2.6	0.8	0.9	1.2	1.6	3.3	5.8
0.02	1.0	1.6	3.7	1.1	1.3	1.7	2.3	4.7	8.2
0.04	1.5	2.3	5.2	1.6	1.8	2.4	3.2	6.6	11.6
0.06	1.8	2.8	6.3	1.9	2.2	2.9	3.9	8.1	14.2
0.10	2.3	3.6	8.2	2.5	2.8	3.8	5.1	10.5	18.4
0.15	2.8	4.5	10.0	3.0	3.4	4.6	6.2	12.8	22.5
0.20	3.3	5.1	11.6	3.5	4.0	5.3	7.2	14.8	26.0
0.25	3.7	5.8	13.0	3.9	4.4	6.0	8.1	16.5	29.0
0.30	4.0	6.3	14.2	4.3	4.9	6.5	8.8	18.1	31.8
0.50	5.2	8.1	18.3	5.5	6.3	8.4	11.4	23.4	41.1
1.00	7.3	11.5	25.9	7.8	8.9	11.9	16.1	33.1	58.1
2.00	10.4	16.3	36.6	11.0	12.6	16.9	22.8	46.7	82.1
3.00	12.7	19.9	44.9	13.5	15.4	20.7	27.9	57.3	100.6
Kv M³/HR	7.3	11.5	25.9	28	32	43	58	119	209